

**ILLUMINATION**

- Long lasting, efficient, ultra bright white LED lamp heads.
- 3.6W (3 LEDs x 1.2 watt) per head.
- Adjustable LED lamp heads provide optimal center-to-center spacing.
- Long-life, energy efficient Red or Green LED EXIT sign illumination.

**ELECTRICAL**

- Dual 120/277 voltage.
- Unique bi-color LED indicator light alerts occupant on battery condition (Green-normal, Red-check battery).
- 6V long life, maintenance free, rechargeable NiCd battery.
- Internal solid-state transfer switch automatically connects the internal battery to LED board and lampheads for minimum 90-minute emergency illumination.
- Fully automatic solid state, two rate charger initiates battery charging to recharge a discharged battery in 24 hours.
- Remote capacity available as an option.

**WARRANTY & LISTING**

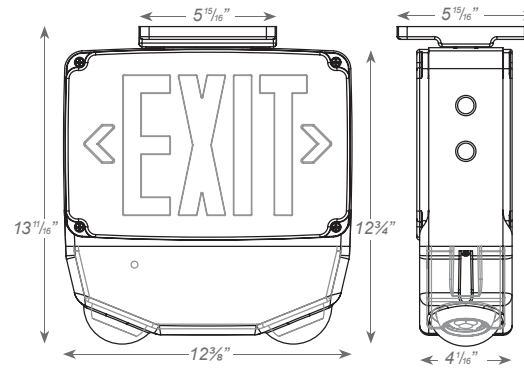
- Five year warranty on all electronics and housing. Battery pro-rated for five years.
- Meets UL924, NFPA 101 Life Safety Code, NEC, OSHA, Local and State Codes.
- UL listed for wet locations (0°C – 50°C).
- Certified to CEC under Title 20 Regulations.

**HOUSING**

- 5VA flame retardant, UV stabilized polycarbonate in white, black or gray finish.
- High-impact resistant, UV stabilized polycarbonate clear lens.
- Corrosion resistant enclosure with engineering grade silicone gasket.
- K/O's provided for conduit feed applications.
- EZ snap-out Chevron directional indicators.



**DIMENSIONS**



**OPTIONS**

- SDT: Self-diagnostic feature performs monthly, biannual, and annual tests to ensure reliable operation and meet electrical and life safety codes.
- TP: Tamper-proof hardware helps prevent unauthorized access to the unit.
- CW: Optional internal heater and battery blanket for extreme cold temperature applications (-20°C – 50°C).
- Custom: Signs available with requested “special” wording.

**MOUNTING OPTION**

- Die-cast aluminum mounting canopy included for top or end mount
- Universal K/O pattern on back plate for wall mount.

**PRODUCT PARAMETER**

| MODEL | NUMBER OF FACES | LETTER COLOR | HOUSING COLOR                                | OPTIONS  |
|-------|-----------------|--------------|--|--|
| 61105 | 1 = Single Face | R = Red      | W = White                                    | TP = Tamper Proof Screws<br>CUSTOM = Custom Wording<br>CW = Cold Weather<br>RC = Remote Capacity<br>SDT = Self Diagnostics |
|       | 2 = Double Face | G = Green    | B = Black<br>G = Gray (with white faceplate) |  |

## REMOTE LAMP CAPABILITY

Reference remote lamp head specification sheets for complete catalog number ordering information.

| MODEL NUMBER | BATTERY | REMOTE CAPACITY | COMPATIBLE REMOTE HEAD FAMILY |      |    |         |      |     |    |     |     |     |     |     |        |  |   |  |  |  |  |   |
|--------------|---------|-----------------|-------------------------------|------|----|---------|------|-----|----|-----|-----|-----|-----|-----|--------|--|---|--|--|--|--|---|
|              |         |                 | RHLED                         |      |    | RH16LED | RH16 |     | RH |     | RHR |     | SRH |     | SRHLED |  |   |  |  |  |  |   |
|              |         |                 | 3.6V                          | 9.6V | MV |         | 6V   | 12V | 6V | 12V | 6V  | 12V | 6V  | 12V |        |  |   |  |  |  |  |   |
| 61105        | 6V      | 7.2W            |                               |      | X  | X       | X    |     | X  |     | X   |     | X   |     | X      |  | X |  |  |  |  | X |

## CENTER-TO-CENTER SPACING GUIDELINES

|   |      |      |      |      |      |      |      |      |      |      |      |      |      |      |      |      |      |      |      |      |      |      |      |      |    |
|---|------|------|------|------|------|------|------|------|------|------|------|------|------|------|------|------|------|------|------|------|------|------|------|------|----|
| 1 | 0.30 | 0.43 | 0.59 | 0.76 | 0.98 | 1.22 | 1.37 | 1.37 | 1.21 | 0.97 | 0.74 | 0.70 | 0.75 | 0.92 | 1.09 | 1.13 | 1.04 | 0.89 | 0.68 | 0.50 | 0.34 | 0.24 | 0.20 | 0.14 |    |
| 2 | 0.36 | 0.50 | 0.77 | 1.02 | 1.26 | 1.51 | 1.69 | 1.60 | 1.43 | 1.15 | 0.89 | 0.83 | 0.93 | 1.20 | 1.51 | 1.67 | 1.57 | 1.33 | 1.03 | 0.71 | 0.52 | 0.35 | 0.24 | 0.18 |    |
| 3 | 0.43 | 0.60 | 0.82 | 1.20 | 1.51 | 1.77 | 1.90 | 1.84 | 1.53 | 1.20 | 0.95 | 0.89 | 1.03 | 1.44 | 1.78 | 1.93 | 1.84 | 1.50 | 1.15 | 0.78 | 0.55 | 0.38 | 0.27 | 0.20 |    |
| 4 | 0.42 | 0.60 | 0.85 | 1.13 | 1.44 | 1.70 | 1.82 | 1.70 | 1.38 | 1.12 | 0.89 | 0.87 | 1.05 | 1.50 | 1.83 | 2.09 | 2.00 | 1.68 | 1.26 | 0.94 | 0.66 | 0.40 | 0.31 | 0.23 |    |
| 5 | 0.44 | 0.61 | 0.80 | 1.06 | 1.29 | 1.45 | 1.50 | 1.40 | 1.12 | 0.96 | 0.78 | 0.78 | 0.97 | 1.34 | 1.70 | 1.93 | 1.87 | 1.61 | 1.25 | 0.91 | 0.67 | 0.48 | 0.32 | 0.23 |    |
| 6 | 0.37 | 0.54 | 0.69 | 0.86 | 1.05 | 1.10 | 1.12 | 1.04 | 0.87 | 0.70 | 0.62 | 0.64 | 0.80 | 1.06 | 1.34 | 1.58 | 1.55 | 1.37 | 1.12 | 0.90 | 0.68 | 0.50 | 0.34 | 0.24 |    |
|   | 12   | 11   | 10   | 9    | 8    | 7    | 6    | 5    | 4    | 3    | 2    | 1    | 0    | 1    | 2    | 3    | 4    | 5    | 6    | 7    | 8    | 9    | 10   | 11   | 12 |

Meets NFPA 101 Requirements for: 24'+ center-to-center spacing - 6'+ path of egress 0' from wall - 9' mounting height.