

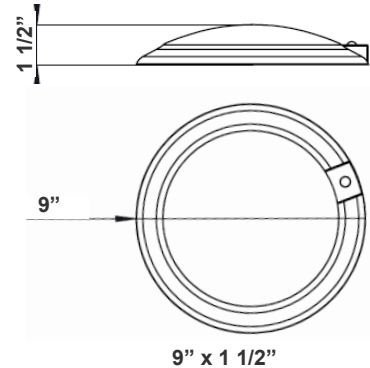
LED Disk Light

Residential Lighting
31369

Customer Name: _____

Project Name: _____

Note: _____ Type: _____



Disk lights have been designed to be a flexible lighting solution for retrofit and new construction applications, ideal for closets, storage areas, attics, corridors, or general lighting solutions for residential and commercial applications.

Features

- Die-cast Aluminum. Powder-Coated
- Unique DOB (Driver On Board) LED Board Enclosed in Clear PC Cover for Better Wet Location Performance
- Integrated PIR (Passive Infra Red) Motion Sensor
- Closed Cell Neoprene Foam Gasket
- Multi CCT (Selectable Switch on LED Board Under the Lens)

Technical Specification

Electrical:

- Voltage: 120V AC
- Power Factor: >0.90
- Wattage: 20W
- Efficacy: 60 LP

Mechanical:

- White Finish
- Die-cast Aluminum. Powder-Coated
- Gasket: Closed Cell Neoprene Foam Gasket
- Fits on 4" Octagonal (4O) or 3" Octagonal (3O) Electrical Boxes
- Recessed Mounting Kit Included for Recessed/Retrofit Installation
- Maximum Ambient Temperature: 104°F
- Rated life: 50,000 hrs
- Sensor Hold Time: 30s
- Sensor Mounting Height: 16.4FT maximum
- Sensor Detection Angle: 120°

Lighting:

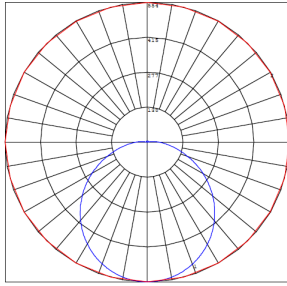
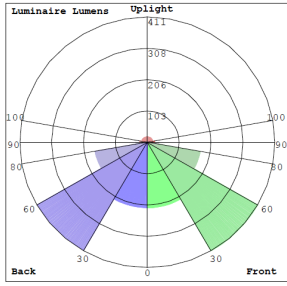
- Lens: White Translucent Acrylic
- LED: Unique DOB (Driver On Board) LED Board Enclosed in Clear PC Cover for Better Wet Location Performance
- Dimming: TRIAC Dimming (Using Standard TRIAC LED Dimmers)
- Total Lumens: 1200LM
- Color Temperatures: 3000K/ 4000K/ 5000K
- Multi CCT (Selectable Switch on LED Board Under the Lens)
- Color Rendering Index: CRI ≥ 90
- 5-Year Warranty

Applications:

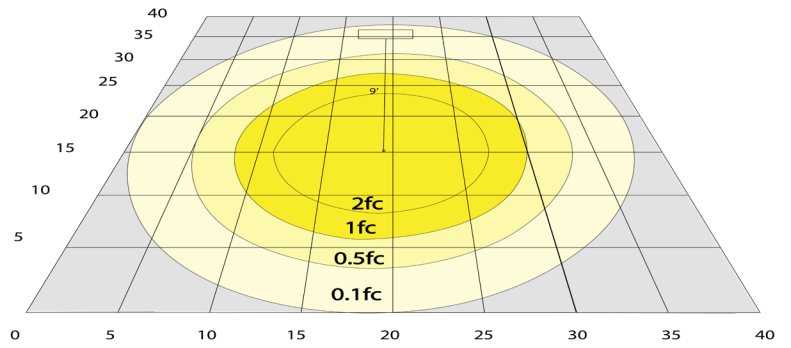
- Disk lights have been designed to be a flexible lighting solution for retrofit and new construction applications. Ideal for closets, storage areas, attics, corridors, or general lighting solutions for residential and commercial applications.



Photometrics: 31369



BUG Rating: B1-U2-G1



Simulation Based on 4000K Area 40'x 40' Mounting Height: 9'

Other Views:



Side View



Front View

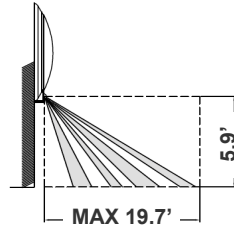
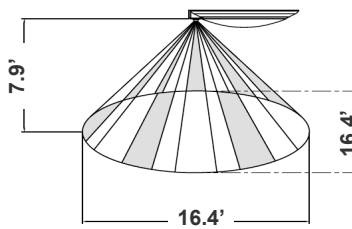


Back View

Performance Table: 31369

MODEL NO.	Wattage	Voltage	Lumens	Color Temp.	BUG Rating	LPW
#31369	20W	120V	1200LM	3000K/ 4000K/ 5000K	B1-U2-G1	60

SENSOR DIAGRAMS:



MOUNTING KIT:



Recessed Mounting Kit included