

LED ROUND OUTDOOR WALL CYLINDER

#51352 / #51353

► **DESIGN** - LED ROUND OUTDOOR WALL CYLINDER has a modern design with effective up/down illumination. This fixture has a tempered glass cover and a durable die-cast aluminum body. It is designed to operate on 120V or 120-277V circuits.

► **COLOR SELECTABLE** - You can choose either a 3,000K warm white, 4,000K cool white or 5,000K daylight color temperature.

► Durable waterproof housing resistant to rust and impact can be used outdoors in all weather conditions.

► **APPLICATION** - The fixture is rated for Wet Locations, making it perfect for indoor and outdoor projects such as decks, front doors, porches, patios, corridors, walkways, or any other common areas.

► **ADVANTAGES** - With a lifespan of 50,000 hours, these fixtures are made to last decades under normal operation! ASD provides a 5-year limited warranty along with ETL certification to guarantee top quality products and safety!

Catalog number	
Notes	
Type	



Finish: Bronze Black

Model	Light direction	Watts	Voltage	Dimmable	Lumens	CCT	Finish	Dimensions (LxWxH)	Option
#51352	2	18W	120 V	-	1,678/1,859/1,745 lm	3CCT (3,000/4,000/5,000 K)	Oil rubbed bronze	4-3/8" x 6-7/16" x 11-13/16"	Photocell
#51353	2	18W	120 V	-	1,678/1,859/1,745 lm	3CCT (3,000/4,000/5,000 K)	Black	4-3/8" x 6-7/16" x 11-13/16"	Photocell

LED ROUND OUTDOOR WALL CYLINDER

#51352 / #51353

INSTALLATION GUIDE

IMPORTANT SAFETY INFORMATION:

Please read all the instructions below before installation.

- ▶ Make sure that the supply voltage corresponds to the rated product voltage.
- ▶ The product must be installed by a qualified electrician in accordance with the National Electrical Code and corresponding local codes.
- ▶ If the product is damaged, do not use it.

⚠ WARNING

RISK OF PERSONAL INJURY – READ and follow all WARNINGS and installation instructions. Keep or give to the owner for future reference.

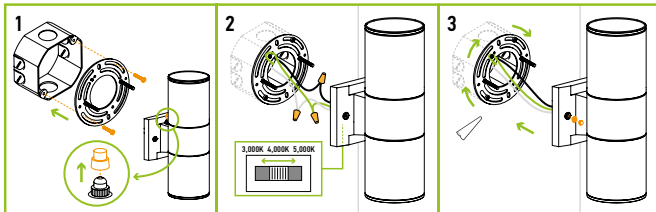
Risk of cuts: Wear gloves to prevent cuts or abrasions when removing from carton, handling, installing, and maintaining this product.

Risk of electric shock: This product must be installed in accordance with the applicable installation code by a person familiar with the construction and operation of the product and the hazards involved.

Risk of Fire: Minimum 194°F supply conductors. Consult a qualified electrician to ensure correct branch circuit conductor.

INSTALLATION STEPS:

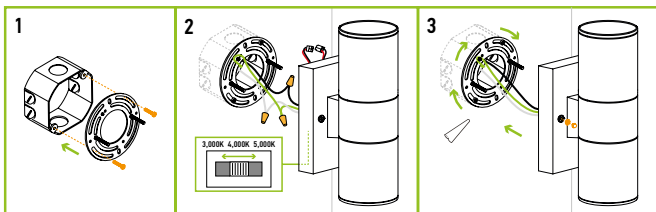
1. Screw the two mounting screws onto the mounting plate. Attach the mounting plate to the outlet box using screws. Make sure the threads of the mounting screws are facing outside when the mounting plate is attached to the outlet box. In models with photocell option remove the photocell cap to make the dusk-to-dawn sensor operate.
2. Choose needed color temperature by adjusting switch position. Connect the wires: Black to Black, White to White, Ground to Ground. Secure the connection with wire nuts.
3. Place the fixture base on the wall by aligning the protruding mounting screws through the holes on the wall plate. Put the waterproof gasket on each mounting screw. Tighten the fixture to the wall using two decorative nuts. For outdoor locations please use silicone (not included) shown in the picture below.



* The fixture must be mounted vertically with the photocell sensor facing up.

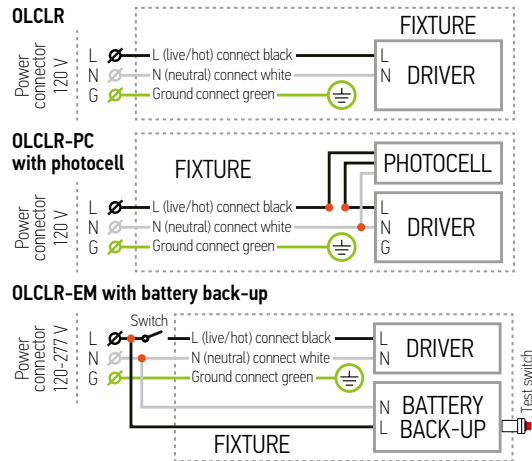
BATTERY BACK-UP MODELS INSTALLATION:

1. Screw the two mounting screws onto the mounting plate. Attach the mounting plate to the outlet box using screws. Make sure the threads of the mounting screws are facing outside when the mounting plate is attached to the outlet box.
2. Choose needed color temperature by adjusting switch position. Connect the LED Emergency controller to the battery back-up. Connect the wires: Black to Black, White to White, Ground to Ground. Secure the connection with wire nuts.
3. Place the fixture base on the wall by aligning the protruding mounting screws through the holes on the wall plate. Put the waterproof gasket on each mounting screw. Tighten the fixture to the wall using two decorative nuts. For outdoor locations please use silicone (not included) shown in the picture below.



* The fixture must be mounted vertically with the test-switch facing down.

ELECTRICAL SCHEMATIC DIAGRAM:



PACKAGE CONTENTS:

Description	Q-ty
LED Round Outdoor Wall Cylinder	1 (2 for 2 pack)
Mounting plate (A)	1
Mounting screw (B)	2
Outlet box screw (C)	2
Wire nut (D)	3
Decorative nut (E)	2
Waterproof gasket (F)	2
Photocell cap (G) only for PC models	1
Box	1

