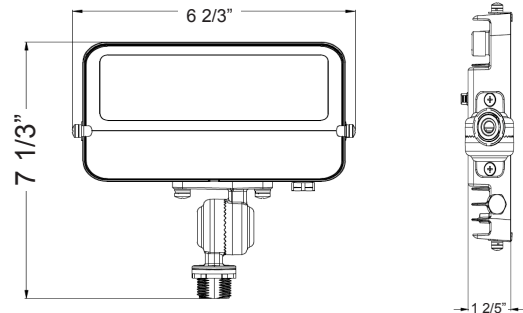




Selection:



Customer Name: \_\_\_\_\_  
Project Name: \_\_\_\_\_  
Note: \_\_\_\_\_ | Type: \_\_\_\_\_



7 1/3"(H) x 6 2/3"(W) x 1 2/5"(D)

Ideal for general site lighting, alleys, loading docks, doorways, pathway, parking areas. Replace existing HID flood lights/wall packs. Great for use with motion sensors or other instant on/off controls. Solid state lighting technology for long life, low maintenance and high efficiency.

## Features

- 90° Adjustable 1/2" Knuckle Mount
- MCT: Multi Color Temperature (Switch On The Back of Fixture With Silicon Cover)
- 5-Year Warranty
- 70,000 hours rated life
- No Maintenance Needed and High-Efficiency

## Technical Specifications

### Electrical:

- Voltage: 120 VAC 50/60Hz
- Wattage: 30W
- Power Factor: >0.9
- Efficacy: 105 LPW
- THD: <25%

### Mechanical:

- Die-Cast Aluminum Housing With Powder Coat Finish (Dark Bronze Finish)
- Solid State Lighting Technology For Long Life, No Maintenance Needed and High-Efficiency
- High Conductive Aluminum LED Board
- IP Rating: IP65
- Operating Temperature: -40°F to 104°F
- Suitable for Wet Locations

### Lighting:

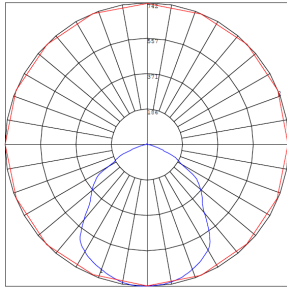
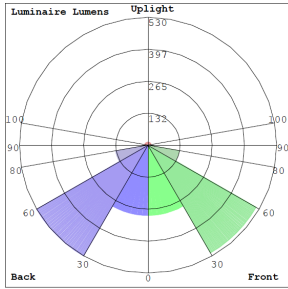
- Cord type: 18" SJTW 18/3 AWG cable
- MCT: Multi Color Temperature (Switch On The Back of Fixture With Silicon Cover)
- Total lumens: 3150LM
- Color temperature: 3000K/ 4000K/ 5000K
- Color rendering index: CRI > 70
- Beam Angle: 120° x 90°

### Applications:

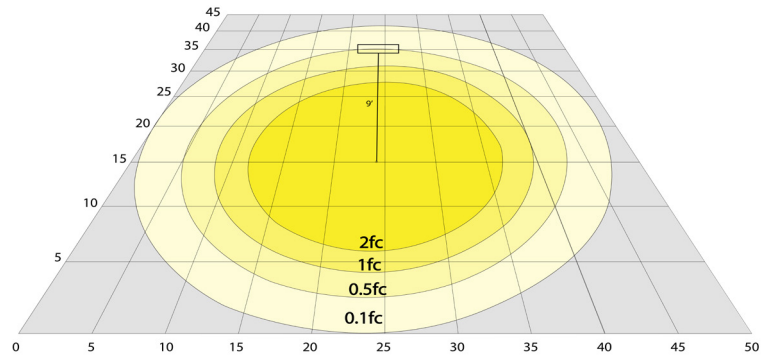
- Ideal for general site lighting, alleys, loading docks, doorway, pathway and parking areas.
- Replace existing HID flood lights/ wall packs
- Great for use with motion sensors or other instant on/off controls



## Photometrics: #51522



BUD Rating: B2-U2-G0



Area 45'x 50' Mounting Height: 9'

## Other Views:



Side View



Front View



Back View

## Performance Table:

MODEL NO.	Wattage	Voltage	Lumens	Color Temp.	BUG Rating	LPW
#51522	30W	120V	3150LM	3000K 4000K 5000K	B2-U2-G0	105