

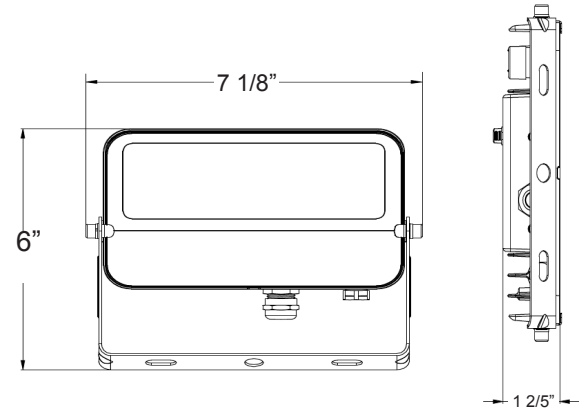
Selection:



Customer Name: _____

Project Name: _____

Note: _____ Type: _____



6"(H) x 7 1/8"(W) x 1 2/5"(D)

Ideal for general site lighting, alleys, loading docks, doorways, pathway, parking areas. Replace existing HID flood lights/wall packs. Great for use with motion sensors or other instant on/off controls. Solid state lighting technology for long life, low maintenance and high efficiency.

Features

- 270° Adjustable Yoke Mount
- MCT: Multi Color Temperature (Switch On The Back of Fixture With Silicon Cover)
- 5-Year Warranty
- 70,000 hours rated life
- No Maintenance Needed and High-Efficiency

Technical Specification

Electrical:

- Voltage: 120 VAC 50/60Hz
- Wattage: 15W
- Power Factor: >0.9
- Efficacy: 106 LPW
- THD: <25%

Mechanical:

- Die-Cast Aluminum Housing With Powder Coat Finish (Dark Bronze Finish)
- Solid State Lighting Technology For Long Life, No Maintenance Needed and High-Efficiency
- High Conductive Aluminum LED Board
- IP Rating: IP65
- Operating Temperature: -40°F to 104°F
- Suitable for Wet Locations

Lighting:

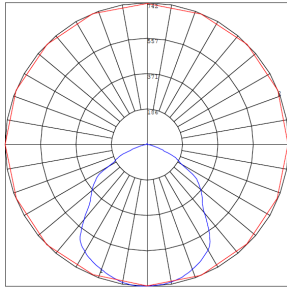
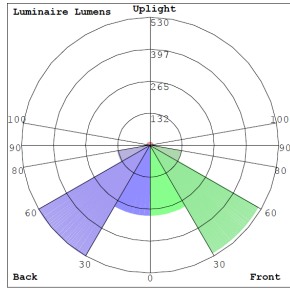
- Cord type: 18" SJTW 18/3 AWG cable
- MCT: Multi Color Temperature (Switch On The Back of Fixture With Silicon Cover)
- Total lumens: 1600LM
- Color temperature: 3000K/ 4000K/ 5000K
- Color rendering index: CRI > 70
- Beam Angle: 120° x 90°

Applications:

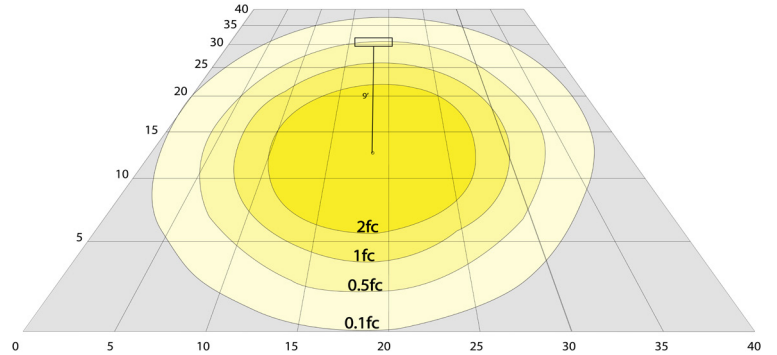
- Ideal for general site lighting, alleys, loading docks, doorway, pathway and parking areas.
- Replace existing HID flood lights/ wall pack
- Great for use with motion sensors or other instant on/off controls



Photometrics: #51516



BUD Rating: B1-U2-G0



Area 40'x 40' Mounting Height: 9'

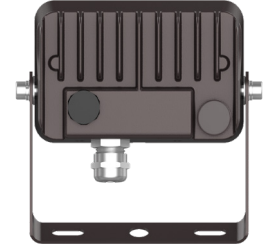
Other Views:



Side View



Front View



Back View

Performance Table:

MODEL NO.	Wattage	Voltage	Lumens	Color Temp.	BUG Rating	LPW
#51516	15W	120V	1600LM	3000K 4000K 5000K	B1-U2-G0	106