



Item#: **11005**

**LED 2' LINEAR HIGH BAY**

HIGH-BAY LUMINAIRES FOR COMMERCIAL AND INDUSTRIAL BUILDINGS

**FEATURES**

- High lumen output - bright and high lumen per watt.
- Integrated LED - maintenance free.
- Replaces HID and fluorescent fixtures.
- Wide beam angle - uniform light distribution.
- All steel surfaces are painted after fabrication for smooth edges and rounded corners.

**MOUNTING**

Designed for suspended or pendent mounting.  
(V-hooks & 41.3" chains included)

**APPLICATION**

Larger warehouses, retail applications, commercial buildings and work areas.

**ELECTRICAL**

Wattage	110W
Voltage	120-277V
Current	0.88A
Power Factor	0.9
Total Harmonic Distortion (THD)	10

**LIGHTING PERFORMANCE**

Lumens	14410
Lumens Per Watt (LPW)	131
Color Temperature (CCT)	5000K
Color Rendering (CRI)	82
R9 (Red Value)	6
R13 (Skin Tones)	83
Beam Angle	120°
Light Distribution	Type VS
BUG Rating (Backlight, Uplight, and Glare)	B3 - U0 - G1
Dimmable Lighting Control	<i>Dimmable</i> 0-10V, Range 10% - 100%

**ENVIRONMENT**

Operating Temperature	-4° ~ 122°F
Suitable Location	<b>DAMP</b>
Ingress Protection Rating	IP40

**LIFESPAN**

Average Life (Hours)	50,000
Warranty (Years)	<b>5</b>

**COMPONENTS**

LED Light Source	Seoul 3528
Driver	SIP100-I2400

**CONSTRUCTION**

Housing	24 Gauge C.R.S.
Lens	Acrylic (PMMA)
Base / Power Supply	Hard Wired
Finish	White

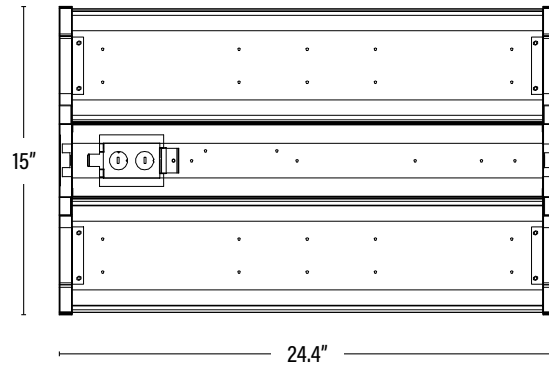
**QUALIFICATIONS**



Item#: **11005**  
**LED 2' LINEAR HIGH BAY**

**DIMENSIONS** (Inches)

Length	24.4"
Width	15"
Height	2.4"
Net Weight (Lbs)	10.4
Chain Length	41.34" (2 ea.)



**ORDERING**

ITEM#	DESCRIPTION	CASE
11005	LED 2FT LINEAR HIGH BAY/110W/50K/DIMM/120-277V - DLC®	1