

**LED 4" ULTRA SLIM DOWN LIGHT**

**ELECTRICAL SPECIFICATIONS:**

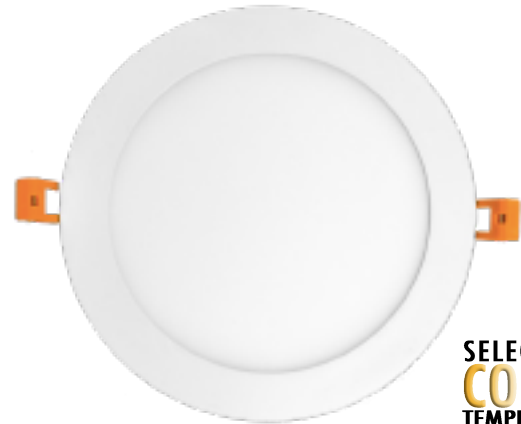
- Voltage: 120 VAC
- Wattage: 9W
- Power factor: >0.90
- Efficacy: 70 lm/W

**HOUSING SPECIFICATIONS:**

- 1/4" Thick
- Die cast aluminum with white powder coat finish
- Pot light housing is not required even for insulated ceiling
- Junction box 1" thick included with fixture
- Type IC rated: Approved for direct contact with insulation
- Operating temperature: -40 °F ~ 104 °F
- Lifespan: 50,000 hours
- Air-tight and damp location approved

**HOUSING SPECIFICATIONS:**

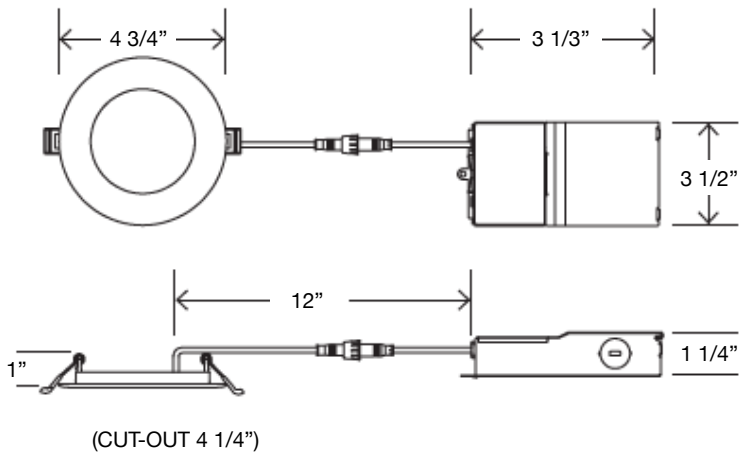
- Dimming: dimmable
- Lens: 0.125" white translucent acrylic
- Optics: White Translucent acrylic
- LED: Seoul DOB (Driver On Board) Technology
- Total lumens: 650LM
- Color Temperature: CCT: 2700K/3000K/3500K/4000K/5000K
- Color rendering index: >80
- Beam Angle: 100 ° - 110 °



**SELECTABLE  
COLOR  
TEMPERATURE**



Junction box 1" thick included with fixture



**ORDERING INFORMATION**

Model	Wattage	Voltage	Lumens	Efficacy	CCT
31200	9W	120VAC	650	70 lm/W	2700K/3000K/3500K/4000K/5000K